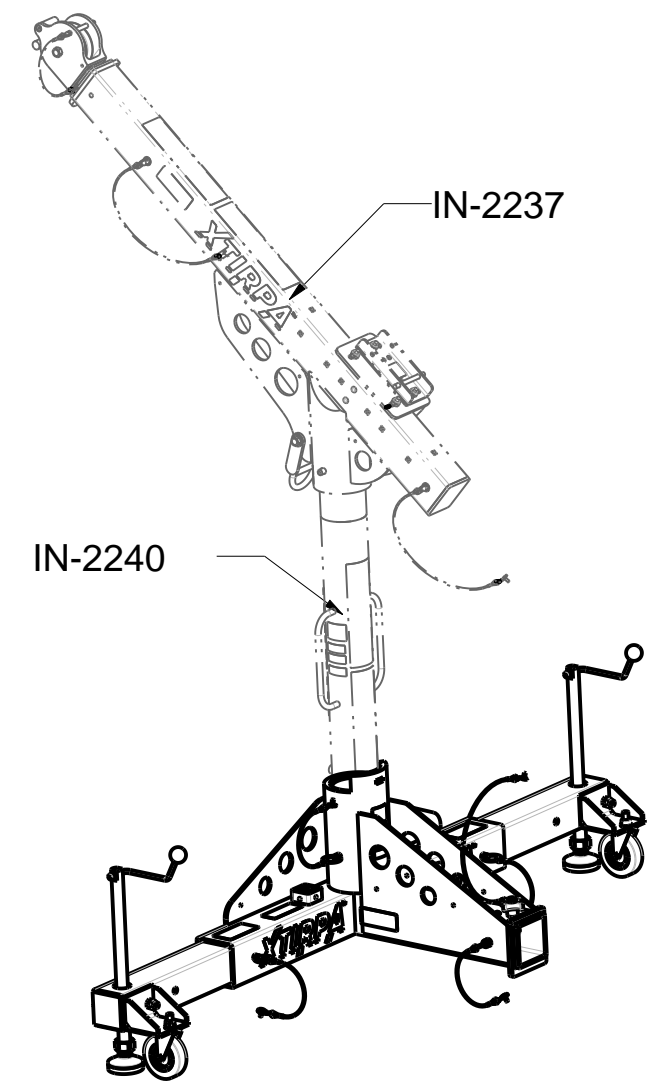
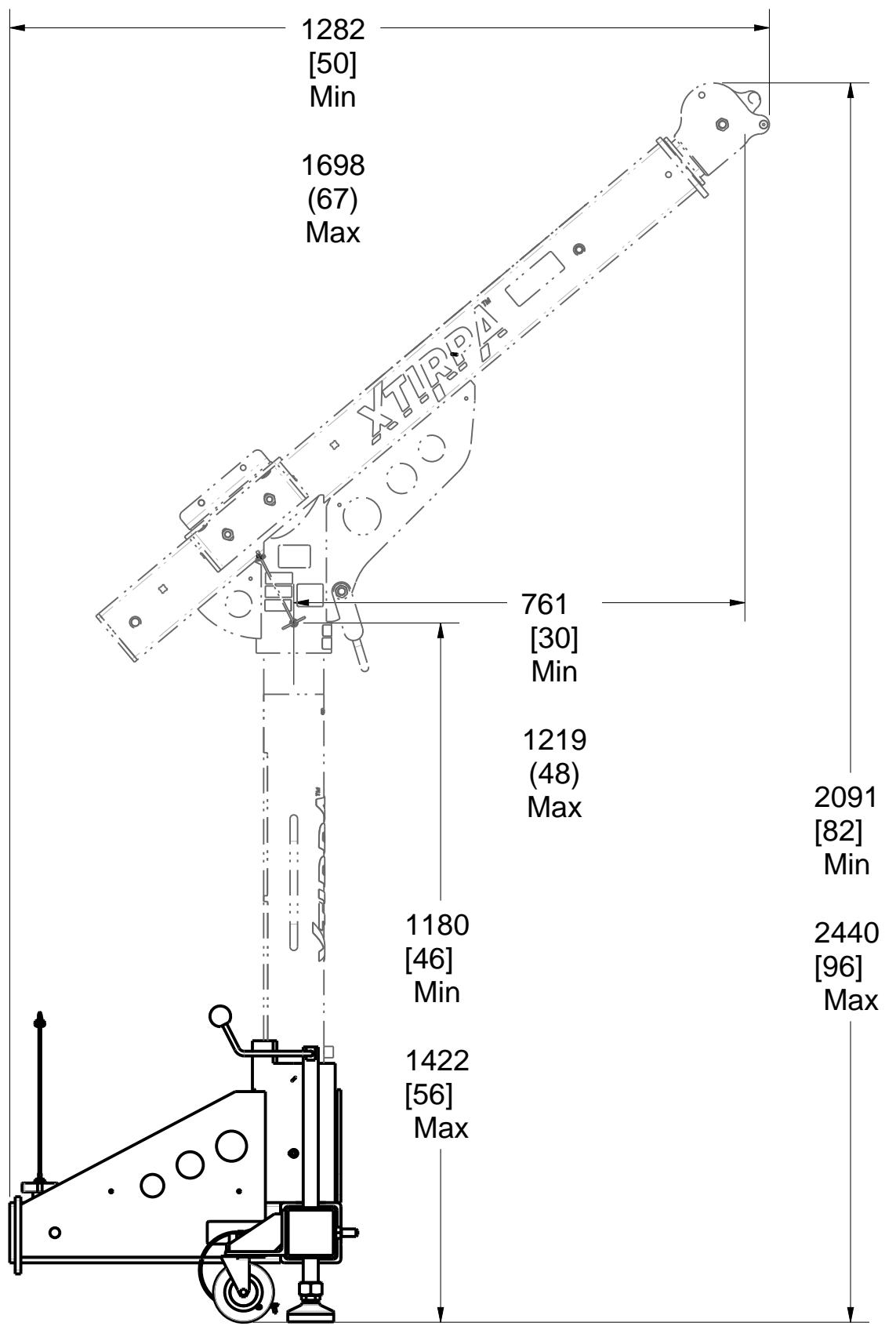


PAT. NO.:		©17/07/2012 ©	
PRODUITS DE SERVICE PUBLICS INNOVA INC. INNOVA PUBLIC UTILITY PRODUCTS INC.			
<small>© 9105-0732 QUEBEC INC. and under exclusive license to INNOVA PUBLIC UTILITY PRODUCTS INC. (hereafter « INNOVA »). All rights reserved. Protected under the Copyright Act of Canada and international treaties and agreements regarding copyrights. Violators are subject to prosecution and other legal recourses for infringement. Any reproduction, adaptation or other use or disclosure whatsoever, in totality or in part, and in any form or by any means whatsoever, strictly forbidden and requires the prior written approval of INNOVA. All data is the exclusive property of 9105-0732 QUEBEC INC. and under exclusive license to INNOVA and cannot be used nor disclosed in any way either without the prior written approval of INNOVA.</small>			
WEIGHT:	TITLE:		
73 Lb	Universal T Base		
33 Kg	for 102mm (4") mast		
COLOR:	MATERIAL:	SHEET(S):	PROJECT:
Safety Yellow	Aluminum	1 / 4	IN-2305



PAT. NO.:		©17/07/2012	©
<b>PRODUITS DE SERVICE PUBLICS INNOVA INC.</b> <b>INNOVA PUBLIC UTILITY PRODUCTS INC.</b>			
<small>© 9105-0732 QUEBEC INC. and under exclusive license to INNOVA PUBLIC UTILITY PRODUCTS INC., (hereafter « INNOVA »). All rights reserved. Protected under the Copyright Act of Canada and international treaties and agreements regarding copyrights. Violators are subject to prosecution and other legal recourses for infringement. Any reproduction, adaptation or other use or disclosure whatsoever, in totality or in part, and in any form or by any means whatsoever, strictly forbidden and requires the prior written approval of INNOVA. All data is the exclusive property of 9105-0732 QUEBEC INC. and under exclusive license to INNOVA and cannot be used nor disclosed in any way either without the prior written approval of INNOVA.</small>			
WEIGHT:	TITLE:		
73 Lb	<b>Universal T Base</b> <b>for 102mm (4'') mast</b>		
33 Kg			
COLOR:	MATERIAL:	SHEET(S):	PROJECT:
Safety Yellow	Aluminum	2 / 4	IN-2305

**SPECIFICATIONS**

This equipment is considered as part of a personal fall arrest system (PFAS) with a maximum working capacity of 164 Kg (360 lb).

It is only to be used in conjunction with a personal fall arrest system that limits the maximum arrest force (MAF).

Working load (mass) and moment: With Mast IN-2240 & Davit Arm IN-2237: 164 kg (360 lb), 1,952 N-m (17,280 lbf-in)

Max Capacity without deformation: With mast IN-2240 & Davit Arm IN-2237: 1,6014 N (3,600 lbf), 19,520 N-m (172,800 lbf-in).

Note: Hitch vehicle minimum weight or structure capacity : 2,727kg (6,000 lb).

**STANDARDS**

Meets the following standards:

- OSHA Personal fall arrest system - 1910.66 App C
- ANSI Safety requirements for personal fall arrest system, subsystems and components Z359.1 ( R1999 ) / 2007
- CAN/CSA Fall arresters, vertical lifelines, and rails Z259.2.1-98
- CE EN 795: 2012 type A , B and E

**MATERIAL AND CONSTRUCTION**

- Reinforcement and Structure : Aluminum 6061-T6
- Extensions : Aluminum 6061-T6
- Mast Sleeve : Aluminum 6061-T6
- Positioning levels and Hardware: Zinc Plated Steel, Stainless steel
- Finish : Yellow security powder paint with metal protection base.
- Welding certification: CSA W47,2M , CSA W47,1.

**RESTRICTIONS**

**IMPORTANT :**

This product is to be used only with products approved by Innova Public Utility Products inc.

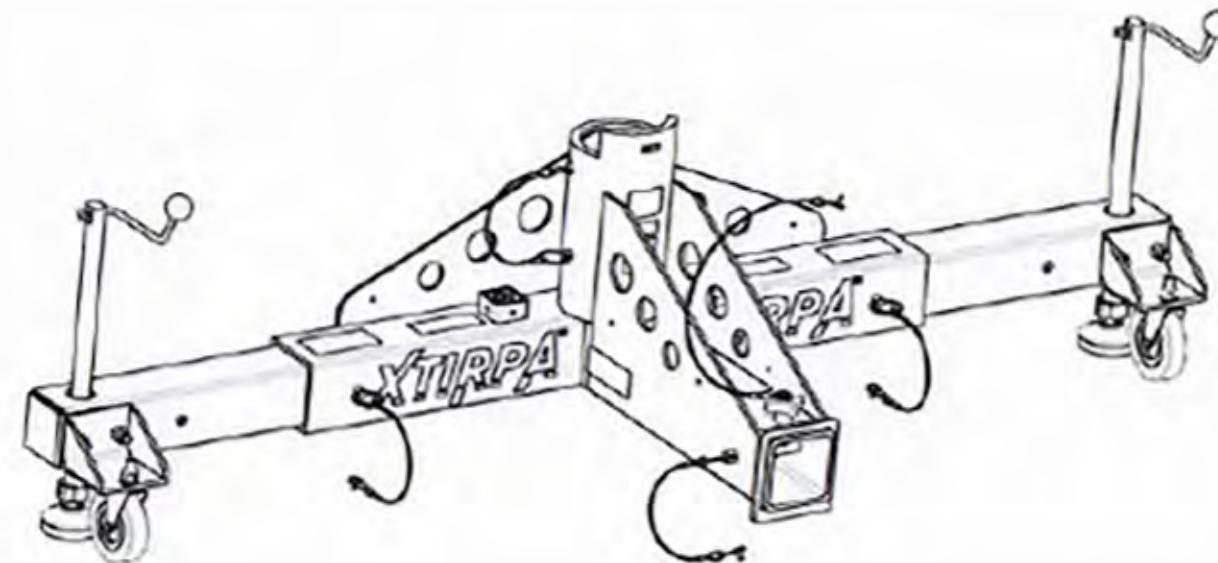
This product shall always be used with man rated personal fall arrest equipment and shall always be used in a levelled position.

\*\*The positioning pins must always be in place when manoeuvring personnel. Otherwise, serious injuries may occur.

In the occurrence of a fall or the safety of the equipment is in doubt, equipment must be immediately removed from service and inspected by qualified personnel before reuse.

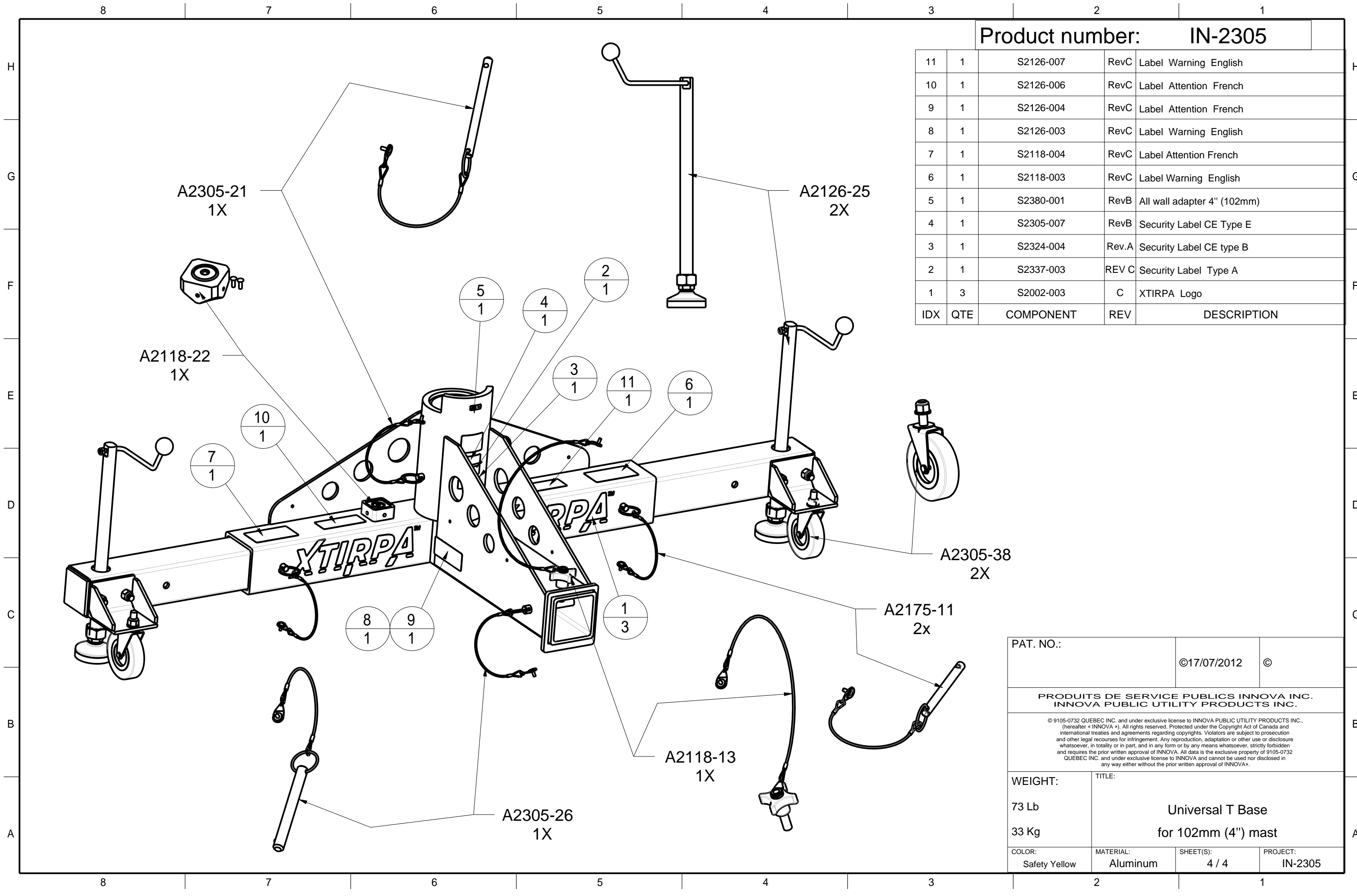
\*\* It is not permitted to use this system while casters are supporting the weight.

Product number: IN-2305



PAT. NO.:		017/07/2012 0	
PRODUITS DE SERVICE PUBLICS INNOVA INC. INNOVA PUBLIC UTILITY PRODUCTS INC.			
<small>© 2002-2012 INNOVA INC. and under exclusive license to INNOVA PUBLIC UTILITY PRODUCTS INC., Courville &amp; INNOVA s.r.l. All rights reserved. Protected under the Copyright Act of Canada and international treaties and agreements regarding copyright. Violators are subject to prosecution and other legal remedies for infringement. Any reproduction, adaptation or other use of this document, in whole or in part, and in any form or by any means whatsoever, strictly forbidden and requires the prior written approval of INNOVA. All data is the exclusive property of INNOVA INC. and under exclusive license to INNOVA and cannot be used nor disclosed in any way without the prior written approval of INNOVA.</small>			
WEIGHT:	TITLE:		
73 Lb	Universal T Base		
33 Kg	for 102mm (4") mast		
COLOR:	MATERIAL:	SHEET(S):	PROJECT:
Safety Yellow	Aluminium	3 / 4	IN-2305

Stamped space



Product number: IN-2305

IDX	QTE	COMPONENT	REV	DESCRIPTION
11	1	S2126-007	RevC	Label Warning English
10	1	S2126-006	RevC	Label Attention French
9	1	S2126-004	RevC	Label Attention French
8	1	S2126-003	RevC	Label Warning English
7	1	S2118-004	RevC	Label Attention French
6	1	S2118-003	RevC	Label Warning English
5	1	S2380-001	RevB	All wall adapter 4" (102mm)
4	1	S2305-007	RevB	Security Label CE Type E
3	1	S2324-004	Rev.A	Security Label CE type B
2	1	S2337-003	REV C	Security Label Type A
1	3	S2002-003	C	XTIRPA Logo

PAT. NO.:		©17/07/2012 ©	
<b>PRODUITS DE SERVICE PUBLICS INNOVA INC.</b> <b>INNOVA PUBLIC UTILITY PRODUCTS INC.</b>			
<small>© 9105-0732 QUEBEC INC. and under exclusive license to INNOVA PUBLIC UTILITY PRODUCTS INC., (hereafter « INNOVA »). All rights reserved. Protected under the Copyright Act of Canada and international treaties and agreements regarding copyrights. Violators are subject to prosecution and other legal recourses for infringement. Any reproduction, adaptation or other use or disclosure whatsoever, in totality or in part, and in any form or by any means whatsoever, strictly forbidden and requires the prior written approval of INNOVA. All data is the exclusive property of 9105-0732 QUEBEC INC. and under exclusive license to INNOVA and cannot be used nor disclosed in any way either without the prior written approval of INNOVA.</small>			
WEIGHT:	TITLE:		
73 Lb	Universal T Base		
33 Kg	for 102mm (4'') mast		
COLOR:	MATERIAL:	SHEET(S):	PROJECT:
Safety Yellow	Aluminum	4 / 4	IN-2305